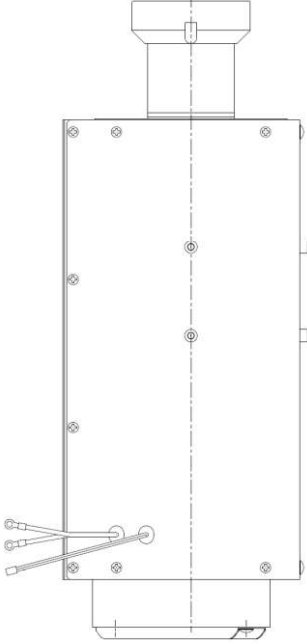
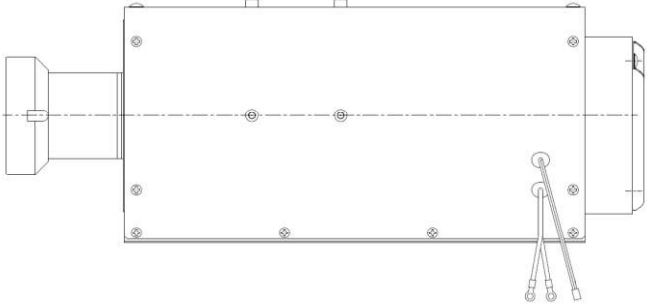
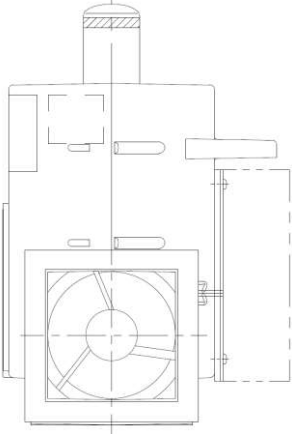
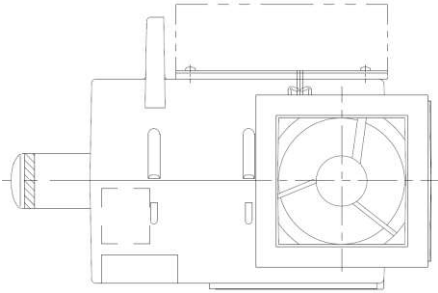
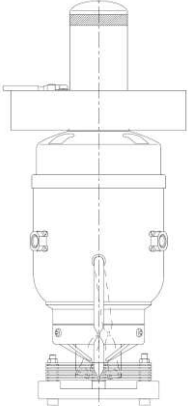
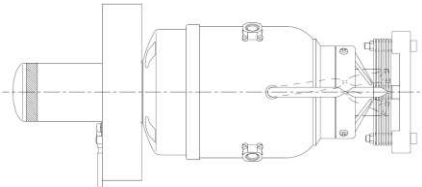


Direction of Installation of FPSC FPSC の設置方向

Both vertical installation and horizontal installation are possible.

垂直設置と水平設置の両方が可能です。

Vertical installation 垂直設置	Horizontal installation 水平設置
 <p>External view of the FPSC unit in vertical installation. The unit is oriented vertically with a top flange and a bottom flange. A dashed vertical line indicates the centerline. Three cables are shown connected to the bottom left side.</p>	 <p>External view of the FPSC unit in horizontal installation. The unit is oriented horizontally with a left flange and a right flange. A dashed horizontal line indicates the centerline. Three cables are shown connected to the bottom right side.</p>
 <p>Internal view of the FPSC unit in vertical installation. The fan is positioned at the bottom, and the motor is at the top. The unit is shown in a cutaway view to reveal internal components.</p>	 <p>Internal view of the FPSC unit in horizontal installation. The fan is positioned on the right side, and the motor is on the left. The unit is shown in a cutaway view to reveal internal components.</p>
 <p>Detailed internal view of the FPSC unit in vertical installation, showing the fan blades, motor, and internal wiring.</p>	 <p>Detailed internal view of the FPSC unit in horizontal installation, showing the fan blades, motor, and internal wiring.</p>