

1

2

3

4

5

6

7

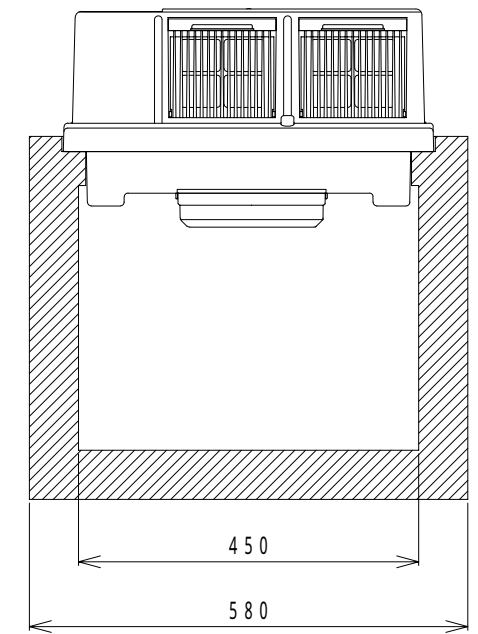
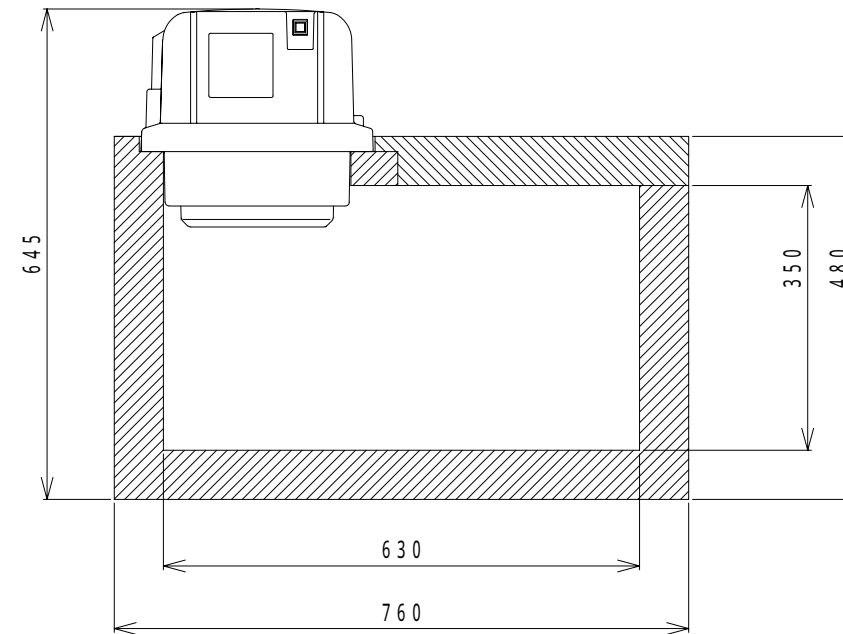
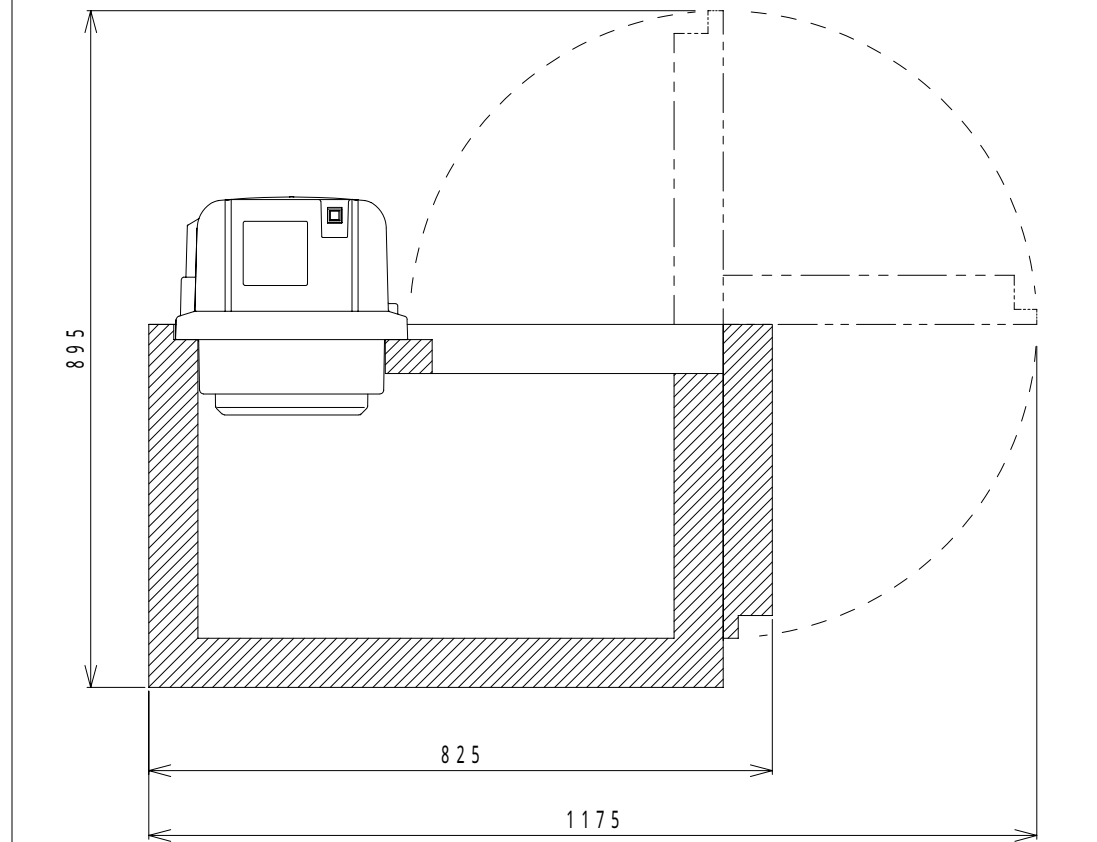
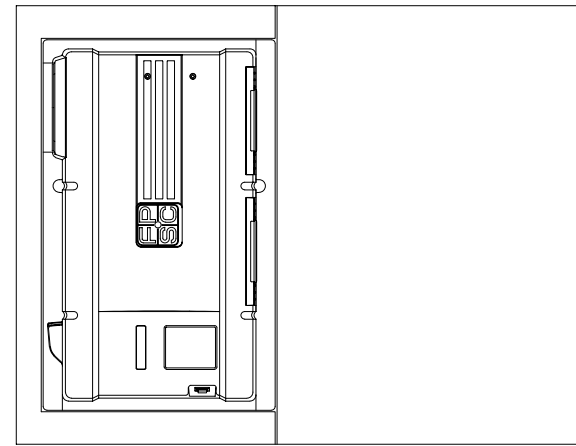
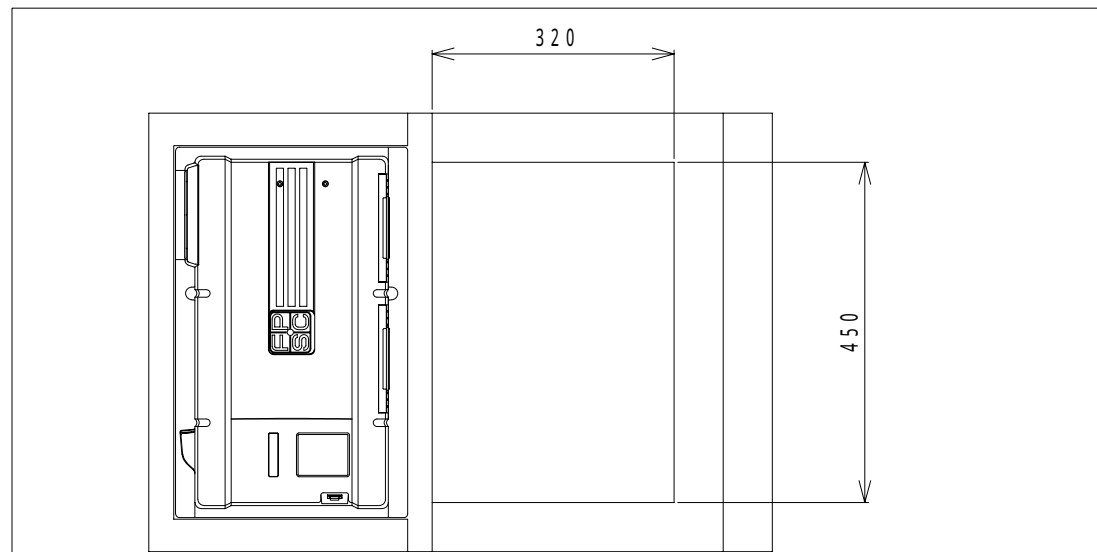
A

B

C

D

E



蓋を開けた状態

ORIGINAL PAPER SIZE A3

5					TOLERANCE	- - -	TITLE	クーラーコー 100V外觀略図		
4						SCALE	1/10	DRAWING NO.	04S-300009-00	
3						APPROVED	CHECK	DESIGN	DRAWING	DATE
2							Y.N	Y.N	TWINBIRD CORPORATION	
1										
NO.	DATE	REVISIONS	Q'TY	NAME	FIRST APVD.	-				